

# CLAYBURN FORNETTE

## Enjoy the many advantages of this gas fired pizza oven:

- No cold spots or moisture within the oven thanks to inner clay dome.
- Low operation cost due to efficient floating flame burners and well insulated inner clay dome.
- Option to burn wood for ambience and aroma.
- Easy access to cooked foods due to the hearths wide opening.
- Beautifully exposed rear floating flame enhances restaurants décor.
- Easy to clean removable shelves.
- Sizes and finishes can be tailor made.



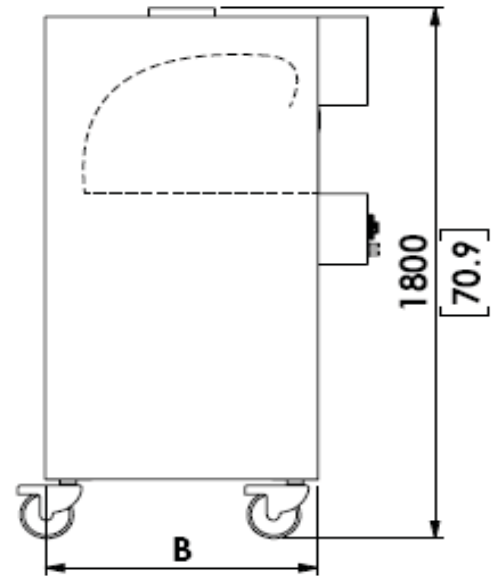
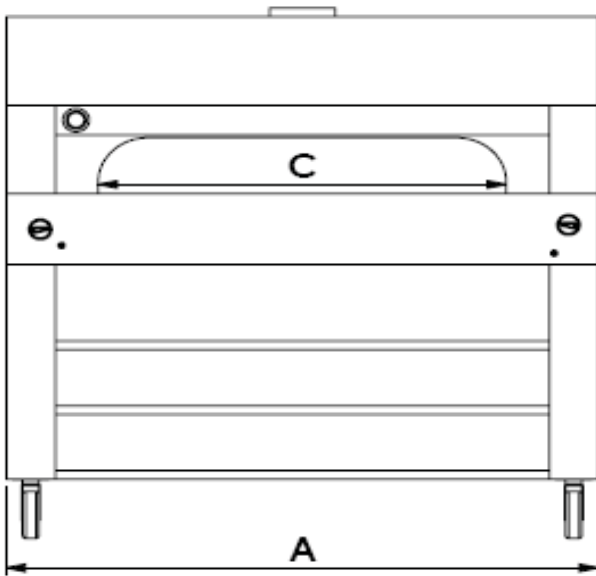
**The Clay Oven Co. Ltd.**

46 Bideford Avenue, Perivale, London. UB6 7QB

Tel: +44 (0) 208 896 2696 Fax: +44 (0) 208 896 2686

[www.clayovens.com](http://www.clayovens.com)





Sizes	A	B	C
<b>F750</b>	750mm/ 29.5"	790mm/31.1"	460mm/18.1"
<b>F1150</b>	1150mm/45.3"	830mm/32.7"	750mm/29.5"
<b>F1800</b>	1800mm/70.9"	830mm/32.7"	1240/48.8"

Our complete Fornette range are available in custom sizes with built in grills and double loading apertures for better oven access and versatility.

## TECHNICAL DATA

### Heat Input

#### F1150

High Setting	14KW/46,000 Btu (net)
Low Setting	4.2KW/14,400 Btu (net)

#### F1800

High Setting	26.5KW/86,000 Btu (net)
Low Setting	10.4KW/33,000 Btu (net)

## HEARTH CAPACITY

**F750** - 29.5" (750mm) x 35.5" (900mm)

Pizza Size	Capacity	Hearth Dimensions
10" Pizza	4	22" (560mm) x 28" (710mm)

**F1150** - 47.5" (1200mm) x 37.5" (940mm)

10" Pizza	6	36" (915mm) x 28" (710mm)
-----------	---	---------------------------

**F1800** - 71" (1800mm) x 37.5" (940mm)

10" Pizza	10	62" (1575mm) x 28" (710mm)
-----------	----	----------------------------

Continuous product improvement is a policy of the Clay Oven Co. Ltd. Therefore specification and design are subject to change without notice



### The Clay Oven Co. Ltd.

46 Bideford Avenue, Perivale, London. UB6 7QB  
 Tel: +44 (0) 208 896 2696 Fax: +44 (0) 208 896 2686  
[www.clayovens.com](http://www.clayovens.com)